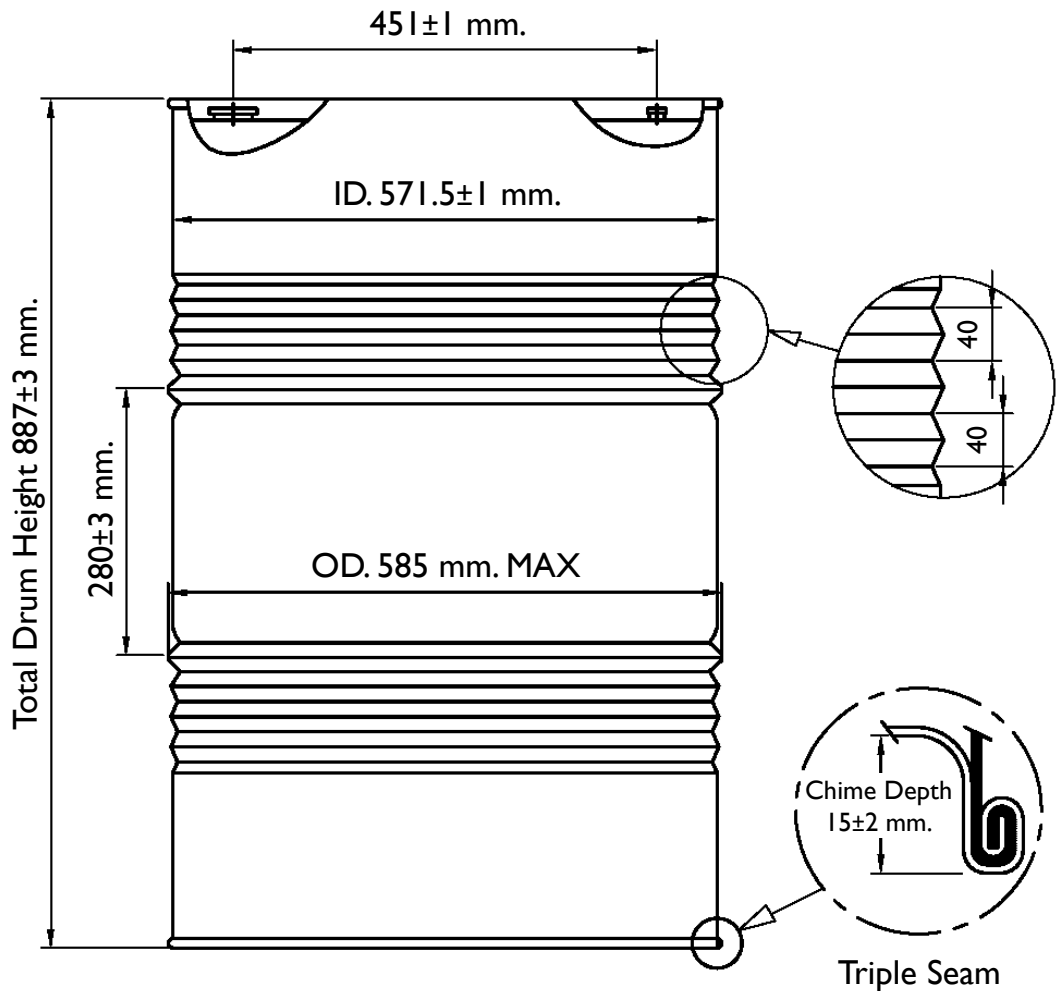


200-LITRE TIGHT HEAD DRUM W-CORRUGATION HOOPS



MATERIAL THICKNESS Gauge	BODY mm.	TOP & BOTTOM mm.	NET WEIGHT kg.
21/20	0.8	0.9	15.10±3%
20/20	0.9	0.9	16.20±3%
20/19	0.9	1.0	16.70±3%
20/18	0.9	1.2	17.70±3%
18/18	1.2	1.2	21.00±3%