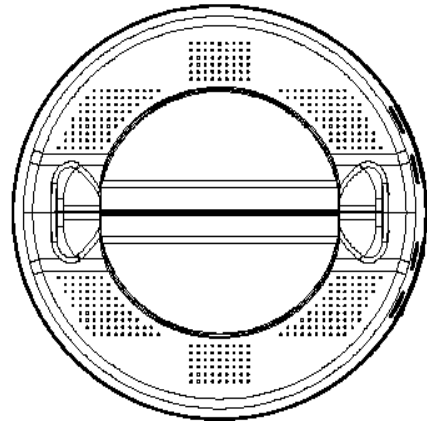
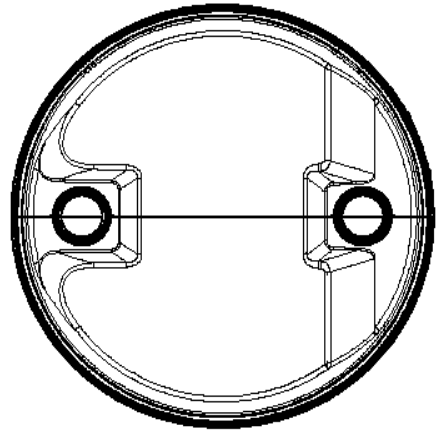
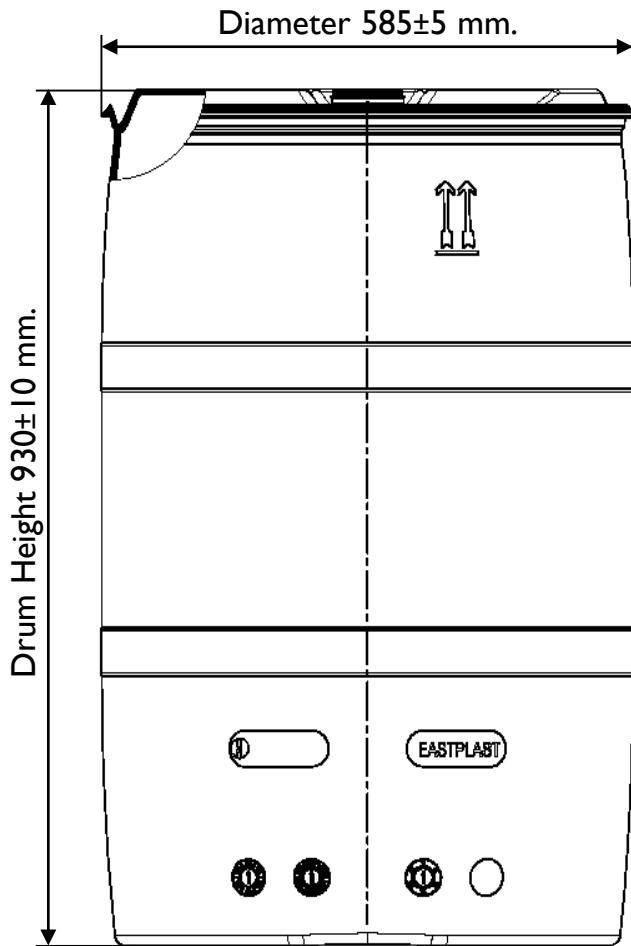


# TIGHT HEAD PLASTIC DRUM SINGLE L-RING



Raw Material	High Molecular Weight High Density Polyethylene (HM-HDPE)		
Drum Weight	8.5 kgs ±3%	9.0 kgs. ±3%	9.5 kgs. ±3%
Minimum Wall Thickness	2.8 mm.	2.9 mm.	3.0 mm.
Brimful Capacity	217 litres		
Drum Height	930±10 mm.		
Drum Diameter	585±5 mm.		
Bung Diameter	2 inches		
O-ring Material	PVC, LDPE		